

# Assembly Instructions

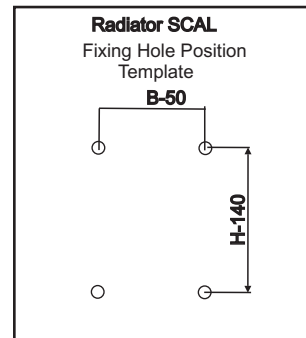
## RADIATOR SCAL

### Parts Supplied

Ref	Description	Illustration	Qty
A	Radiator		1
B	Air vent		1
C	Blanking plug		1

### Fittings Supplied (for solid walls)

Ref	Description	Illustration	Qty
D	Masonry plug		4
E	Screw		4
F	Bracket		4



### Tools Required (not supplied)

Drilling Machine Drill 8 mm masonry 22 mm Spanner Hammer Flat Nosed Pliers
--

### Before you start :

- Please read instructions carefully before installation.
- Check the pack and make sure you have all parts listed above. If not, contact your local store, who will be able to help you.
- Before drilling, first check that there are **no** hidden water pipes or electrical cables.
- This radiator is designed for use on an open or closed heating system up to a max pressure of 10 bars . For use on open systems the warrantee is subject to the addition of an anti-corrosion additive like Fernox.
- When you are ready to start, make sure you have the right tool to hand, plenty of space and clean dry area for assembly.
- Make sure that you use the right type of wall fixing;-masonry wall plugs supplied -.

## Installation

1. Using the dimensions given in the fixing hole template if using the plugs supplied drill 4 holes to a depth of approximately 50 mm and a diameter of 8 mm. **NOTE:** The distance from the floor to the bottom of the radiator must be at least 200 mm for efficient heating and ventilation. The distance between the two ½" pipe connections is the width + valve allowance (B).
2. Insert masonry wall plugs ( D ) provided into the drilled holes, solid walls only.
3. Fasten screw ( E ) with through bracket ( F ) to fix securely to the wall.  
**Take care not to over tighten.**
4. Hang the radiator on the brackets.
5. Fit the supplied air vent ( B ) and blanking plug ( C ) into the upper threaded openings of the radiator.
6. Connect the water flow and the return pipe to the chosen side of the radiator and the isolation valves ( not supplied ). Ensure a water tight seal is obtained by using PTFE tape on the threads.
7. How to first fill and vent the radiator:
  - Open the air vent
  - Slightly open the inlet valve (about 10%) while leaving the outlet valve totally closed.
  - Allow the system to fill the radiator. If possible fill without use of the heating pump, it is important that the radiator is filled slowly.
  - When the radiator has been filled close the air vent.
  - Open both inlet and outlet valves totally and use the heating system for about 2 hours.
  - Totally close both inlet and outlet valves.
  - Open the air vent and let out all air.
  - This should clear all air from the radiator. If you are still having problems, on some systems it may be necessary to fit an automatic air vent.

## Care & Use

- After fitting you **MUST** be absolutely certain that the system is **THOROUGHLY** flushed before it is commissioned in order to rinse out any metal, flux and foreign residues.
- To help prevent internal corrosion and lime scale formation a suitable inhibitor **MUST** be added to the central heating system when it is refilled
- Wipe radiator clean with a soft damp cloth. Never use scourers, abrasives or chemical cleaners.

## Troubleshooting

- If some panels of the radiator are not warm, check and purge once more using step 7.